



AQUAMONIX
Measure. Monitor. Master.

SNAPLOCK CABLE CONNECTORS : 2-WIRE TECHNOLOGY

Tonick Watering
Two Wire Technology

The Aquamonix range of 2-wire cable and connectors are marketed globally under Tonick Watering.

At the heart of every good 2-wire system are quality cable and cable connectors. Tonick Waterings have a range of solutions specifically designed for use with our decoder systems.

Our Snaplock Cable Connectors are a new generation of watertight, direct bury cable connectors suitable for most cable sizes.



FEATURES

- Silicone sealant for watertight connection
- Mechanical lever to lock cables in place for a secure join
- Cable strip length indicator for correct wire length terminations
- Wide range of cable sizes supported
- Suitable for both solid core and stranded wire

92 Furniss Road, Landsdale WA 6065

intl +61 8 9477 1188

free call 1300 797 246

email sales@aquamonix.com.au



IRRIGATION
AUTOMATION



WATER
MANAGEMENT



REMOTE
MONITORING

www.aquamonix.com.au

ELECTRICAL

- Supports low voltage installations only 30V max.
- Maximum 10A

VARIANTS WIRE GUIDE

BVS1

- 3 x Min AWG 20 Max AWG 16

BVS2

- 2 x Large Hole Min AWG 14 Max AWG 12
- 1 x Small Hole Min AWG 20 Max AWG 16

BVS3

- 3 x Min AWG 14 Max AWG 10

AWG TO MM² CONVERSION

AWG	mm ²
20	0.5
19	0.8
18	1.0
16	1.5
14	2.5
12	4.0
10	6.0

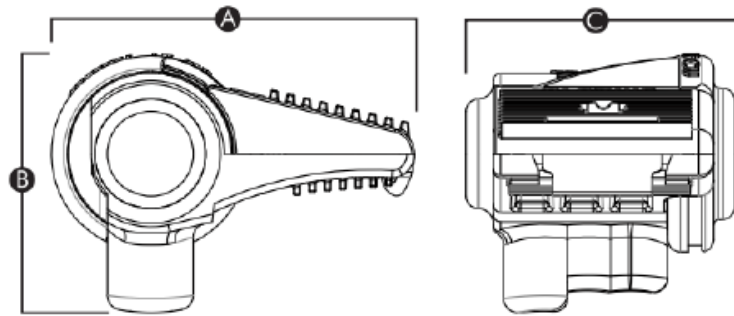
PHYSICAL

BVS1 Measurements

A - 1.460"

B - 1.040"

C - 1.080"

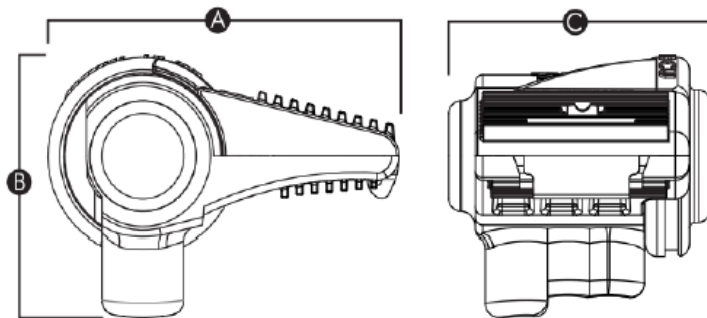


BVS2 Measurements

A - 1.922"

B - 1.522"

C - 1.355"



ENVIRONMENTAL

- Temperature rating: 105°C (221°F)
- Silicone sealant temperature: -40°C to 200°C

Approvals

- Conforms to ANSI/UL Std. 486C
- Flammability V-2. CSA C22.2 #188-04

Certificate of Origin

- Manufactured in China

Please refer to the Tonick OEM Guide for integration information.