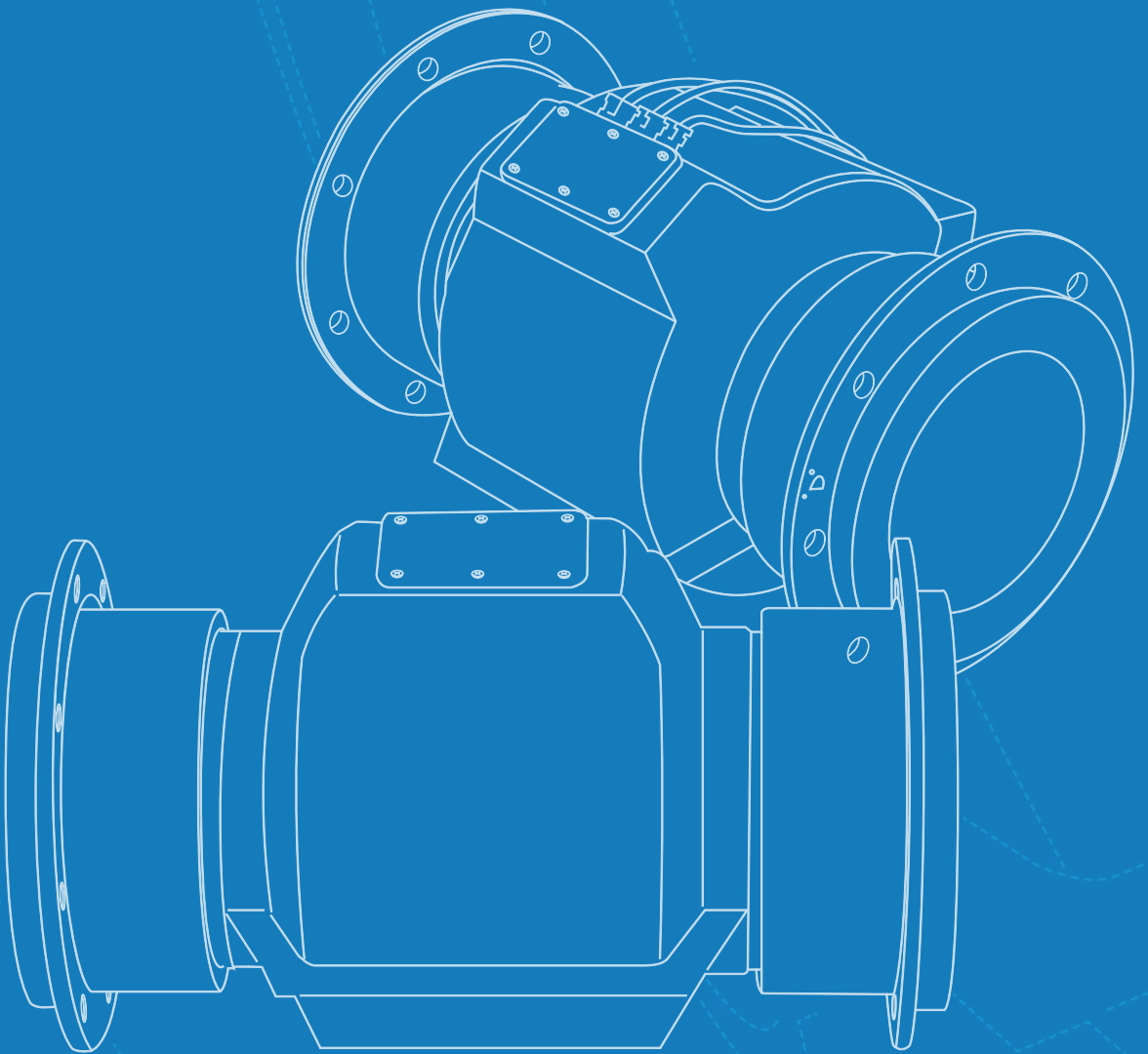




AQUAMONIX  
Measure. Monitor. Master.

# EMFLUX2020

## ABS BODY FLOWMETER



IRRIGATION  
AUTOMATION



WATER  
MEASUREMENT



REMOTE  
MONITORING



CLOUD  
BASED DATA

# EMFLUX2020 ABS Body Flowmeter

The **EMFLUX2020** ABS body flowmeter used with either an **EMFLUXM500** or **EMFLUXI500** flowmeter transmitter is ideally suited to the accurate measurement of the flow rate of a wide variety of conductive process liquids, water and wastewater.

## Features

- Uses the proven electromagnetic method of flow measurement, which applies Faraday's law as the principle of operation
- ABS tube and housing
- No moving parts
- High accuracy
- No obstruction to the flow
- Little to no pressure loss
- A choice of electrodes to suit the process
- Variety of flange types available
- Submersible to 1.5 metres
- Suitable for buried service
- Minimal straight pipe installation requirements
- Remotely mounted electronics
- Used with the **EMFLUXI500** flowmeter Transmitter on remote sites
- Used with the **EMFLUXM500** Flowmeter Transmitter on 240VAC powered sites

## General applications

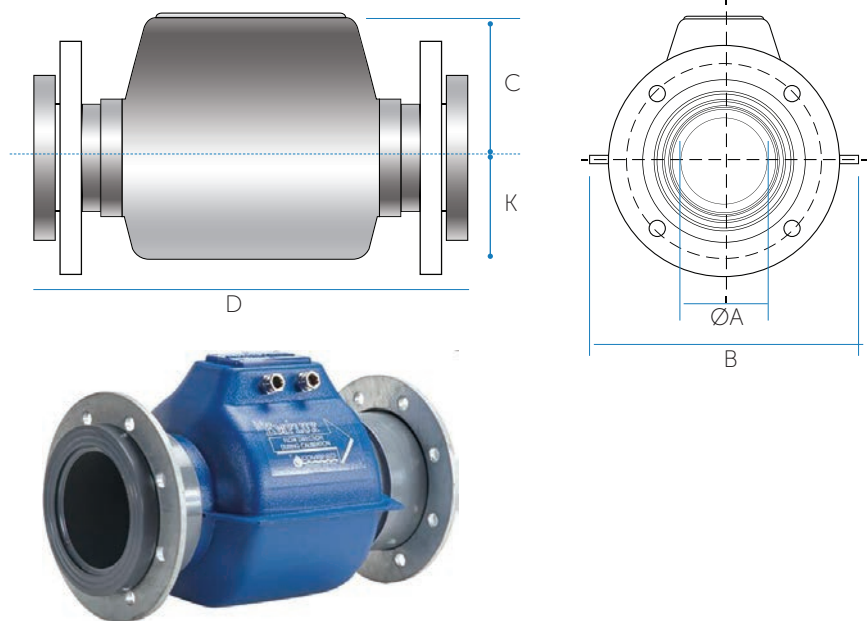
- Water production and distribution
- Irrigation flow measurement
- Waste water monitoring and treatment
- Industrial processing plants

Aquamonix has also achieved pattern approval to DN1500 meters, which includes the **EMFLUX2020** series.

## Service and support

Aquamonix, through its Service Division, offers a full suite of service products for the EMFLUX flowmeter range aimed at minimising downtime and cost, while maintaining confidence in the measurement.

## Product dimensions



Nominal Bore					Min Flow I500/ M500 L/Sec (Gal/Min)	Max Flow I500/M500 L/Sec (Gal/Min)
ØA	B	K	D	C		
50 (2)	240 (9.45)	100 (3.94)	360 (14.17)	130 (5.12)	0–1.0 (0–15.5)	20 (317)
80 (3)	240 (9.45)	100 (3.94)	400 (15.75)	130 (5.12)	0–2.5 (0–39.6)	50 (792)
100 (4)	260 (10.24)	105 (4.13)	420 (16.54)	145 (5.71)	0–4.0 (0–63.4)	78 (1,236)
150 (6)	325 (12.80)	135 (5.31)	520 (20.47)	175 (6.89)	0–8.9 (0–141.0)	176 (2,790)
200 (8)	364 (14.33)	152 (5.98)	610 (24.02)	201 (7.91)	0–15.7 (0–248.9)	314 (4,977)
250 (10)	417 (16.42)	179 (7.05)	750 (29.52)	228 (8.98)	0–24.5 (0–388.3)	491 (7,782)
300 (12)	456 (17.95)	199 (7.83)	818 (32.20)	251 (9.88)	0–35.3 (0–559.5)	707 (11,206)
375 (15)	500	235	900	NA	0–50	2475

Note: Dimensions are nominal to  $\pm 2\text{mm}$  (or  $\pm 0.08\text{ in}$ ), gal = US gallon

# EMFLUXI500 Flowmeter Transmitter

A no compromises, high accuracy, irrigation flowmeter. It complies with the Australian Standard AS/NZS 4747:2013 - Meters for Non-Urban Water Supply and is a fully pattern approved instrument from DN50 to DN1500. This transmitter meets the demanding requirements for accurate metering of irrigation supplies, but is equally at home in other water supply applications including urban water (recycled water, distribution network and revenue monitoring), mining and environmental monitoring.



## Specifications

- AS4747 compliance
- Operates on remote 12VDC with solar recharge
- Operates on 24V fixed power supplies
- Tamper proof design



## Applications

- Irrigation off-takes
- Basic control functions e.g. local off-take gates and valves and a variety of communications
- Surface Water or Groundwater Metering
- Gravity or Pumped Systems

## NMI PATTERN APPROVED

- NMI 14/3/32
- The I500 Flowmeter Transmitter is pattern approved and certified by the National Measurement Institute.

## Features

- Use the well established electromagnetic measurement method
- No moving parts or restriction of flow during measurement
- Enhanced diagnostic and alarm functions, completely configurable
- Removable SD card allowing easy upgrade of transmitter and logging
- Large multi-line backlit LCD display
- User configurable logging interval for flow data and diagnostic tables
- Optional 4-20mA output
- User configurable digital frequency and pulse outputs
- Full serial Modbus multidrop support
- 3x expansion slots allowing additional IO
- Serial support for modems, RTUs and PLCs
- Ability to calibrate and operate flow tubes up to 1500mm in diameter
- Capacitance style keypad with no moving parts
- Cable entry via IP68 rated glands
- Multi-level password protection
- Designed for outdoor environments



EMFLUXI500 Flowmeter Transmitter

## How to order

Simply send us an email at [sales@aquamonix.com.au](mailto:sales@aquamonix.com.au) contact your local distributor or phone 1300 797 246.

## About Aquamonix

Aquamonix provides innovative products and services to assist businesses and communities in monitoring critical water resources, managing environmental compliance and mastering remote infrastructure. We are a major supplier of flowmeters, water quality sensors, remote telemetry systems and control solutions for the Australian irrigation market. We are the only Australian manufacturer of full bore flowmeters and have an installed base of more than 40,000 sites and over 40 years of experience in the industry.



Licence ID: 15075

**Contact Aquamonix** | [aquamonix.com.au](http://aquamonix.com.au) | **T: 1300 797 246**

**New South Wales**  
268 Milperra Road  
Milperra NSW 2214  
**T: +61 2 8710 4040**

**Victoria**  
**T: 1300 797 346**

**Western Australia**  
92 Furniss Road  
Landsdale WA 6065  
**T: +61 8 9477 1188**

**Queensland**  
29 Lathe Street  
Virginia QLD 4014  
**T: +61 7 3608 7889**