



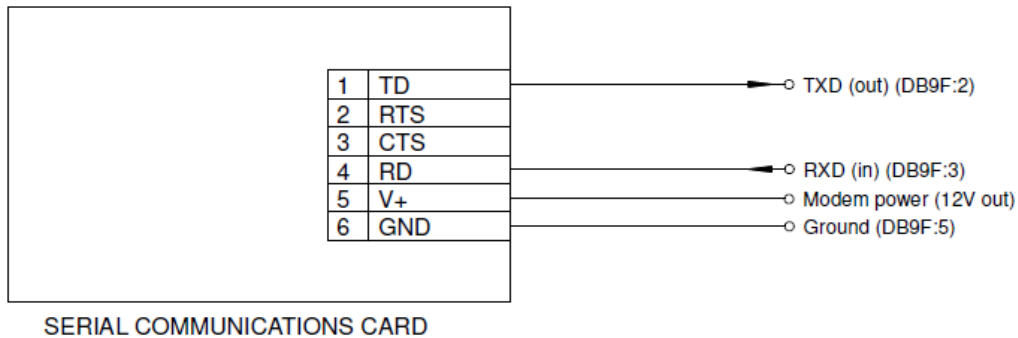
**Head Office**

268 Milperra Road MILPERRA NSW 2214  
ABN: 26 609 047 878  
Ph: 1300 797 246  
Web: [www.aquamonix.com.au](http://www.aquamonix.com.au)

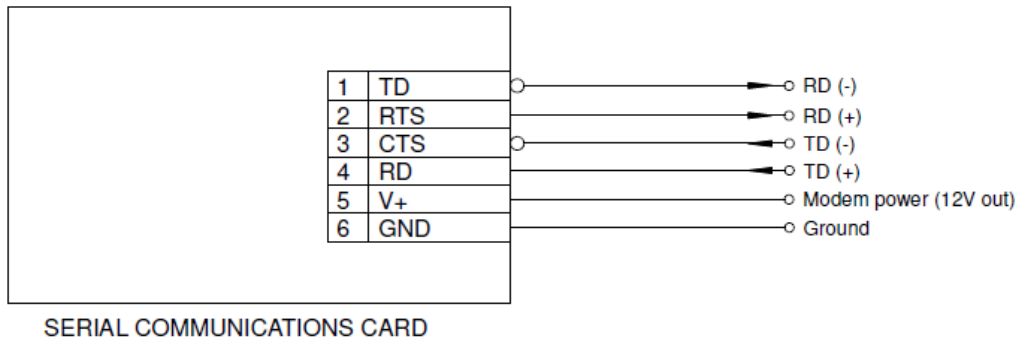
## WIRING CONFIGURATION OPTIONS FOR IRRIFLOW I500 MODEM CARD

The I500 standard modem card can be configured as either RS232 or RS485 (both two and four wire). There is a jumper located on the PCA which needs to be removed for RS485 two wire connections. The I500 transmitter itself will then need to be configured as either RS232 or RS485 in the configuration menu. Wiring diagrams for connecting to the card are shown below.

### RS232 CONNECTIONS



### RS485 CONNECTIONS (4 WIRE)



### RS485 CONNECTIONS (2 WIRE)

